

Material
Handling

FALCON-IQ

Falcon Technology Int'l. Ltd.
1601, 16/F, Tower II, Silvercord
30 Canton Road, Tsimshatsui
Kowloon, Hong Kong

Tel: + 852 2334 8791
E-mail: inquiry@falconiq.com

AGENT:

Material
Handling

FALCON-IQ



SENSE & HEARING

Danger zone

- CONTAINED RF
- PYRO ELECTRIC SENSOR
- CAMERA



VIBRATING ALERT BRACELET



AUDIO ALERT AND DISPLAY



VISION

CAMERA



MONITOR



FALCON-IQ

Falcon-IQ provides high-end quality products, services as well as engineering works with, if required, turnkey project solutions.

Our aim is to constantly upgrade our products and develop new innovative systems. Therefore we re-invest a significant part of our turnover in Research and Development.

Fork lift trucks plays a vital role in logistic processes and all be it the work could be very hectic.

CAMERA SYSTEMS FOR FORKLIFTS

It provides the driver a view on blind spots and the load which increase ease of operation and improved working conditions while reducing operator errors. The cameras are designed for continuous operation under the toughest conditions during day and night and function reliably under harsh conditions

- * Increase Efficiency
- * Increase Safety
- * Decrease Damages

Fork camera mounted at the side of the fork to give the driver a view along the fork.

Mid-mast view (pin hole) camera mounted on the inner mast to provide the operator a view along the forks after the free-lift stage.

Wireless Module is used to avoid service problems with mast cable and reels and allow fast installation.

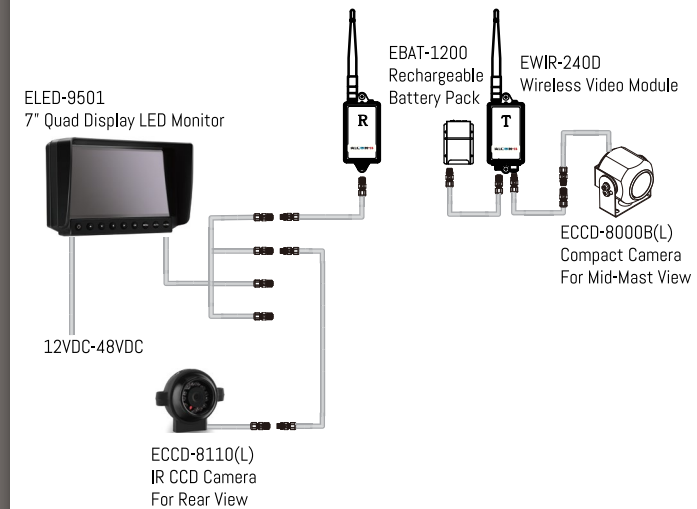
Accident Prevention System

In the case of machine to man risks of collisions, the pedestrian worker in danger can be alerted, the worker can have a chance to save its own life by a strong vibration on their wrist. To be effective, an alarm must be unambiguous and provoke a worker's spontaneous reaction.

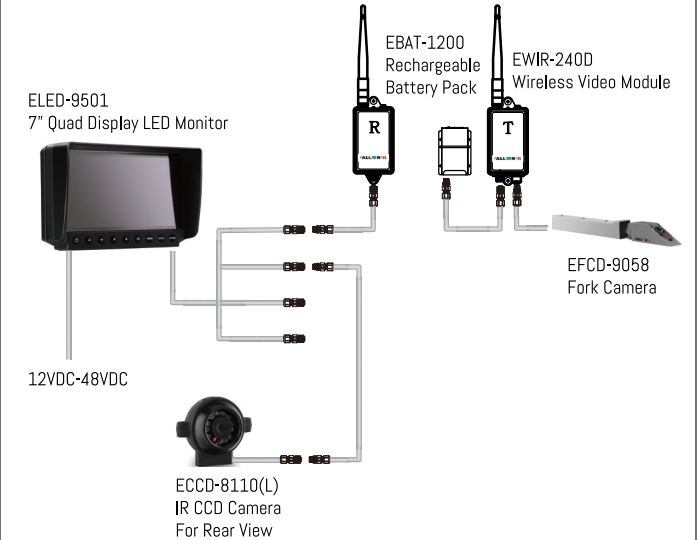
The Pachom combines 3 technologies
 1) Contained RF (reduce false alarm)
 2) Pyro electric Sensors (detect human)
 3) Camera (Driver view the proximity situations)

The APS uses a RF transmitter to set a protection zone. The worker's wear a unique bracelet as a person device. If the worker is located inside, both the operator and worker will be alerted by strong vibrating on his/her bracelet.

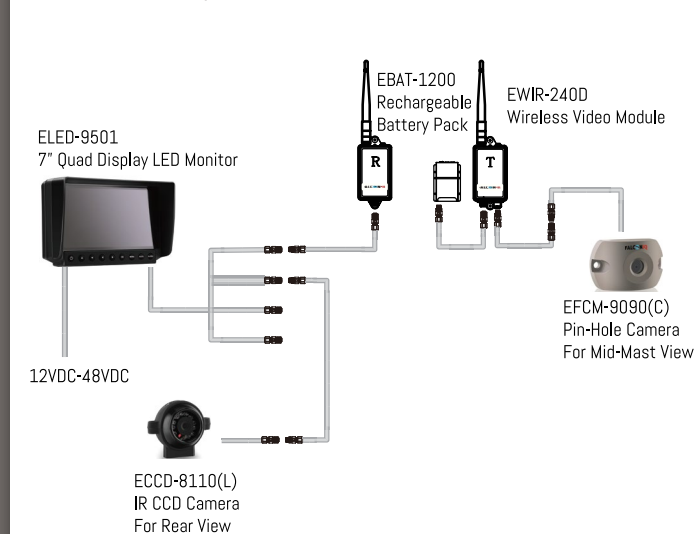
Wireless System with Mast view and Rear View



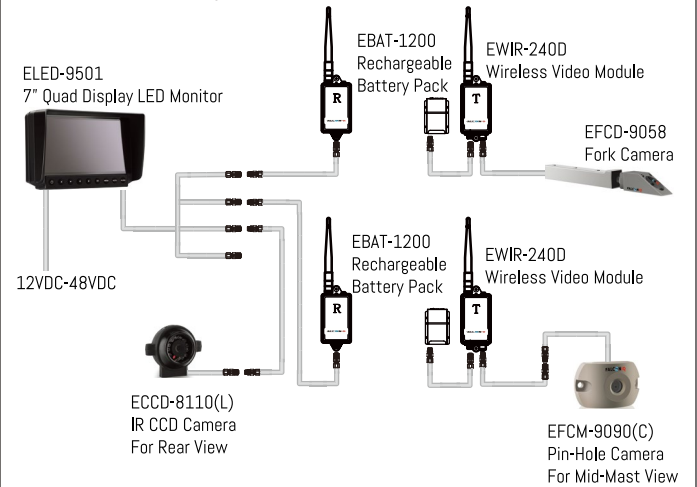
Wireless System with Fork view and Rear View



Wireless System with Mast view and Rear View



Wireless System with Mast/Front/Rear View



INTELLIGENCE

SAFETY & ECONOMY



DATA RECORDING AND CONTROL AND SYSTEMS



"Let's date & configurate"
"Let's customize & realise"

COMPACT FIXED LENS CAMERA

Stainless steel-anodized aluminum light sensitivity <0.001 Lux
 IP69
 Internal protection 1.4 Bar overpressure dry nitrogen filled

High strength tempered glass 12 volt DC-2.4 watt
 Angles 115-102-78-54-32-17 degree
 Temperature -30 to +75
 Shock 30G-50G-80G

LED MONITORS : 7"

Industrial 7" LED monitor, TFT800x600 pixels, LED backlight
 Protection IP54
 Vibration test 9.8 G RMS,

Mechanical Shock test 80G
 Input 4 cameras quad/triple/split screen display
 12-36V/DC4.5 watt

MID-MAST CAMERA

Stainless steel 304 Housing
 600 TV lines(HD)
 Internal protection by dry nitrogen filled
 IP69K

Angles 90-54-32 degree
 Stabilized 12V/DC,24V/DC
 Temperature -30 to +75
 Shock 30G

FORKLIFT CAMERA

Stainless Steel 304 Housing
 700 TV lines(HD)
 Hi bright LED luminous 11000 mcd
 IP69K

Angle 58 degree
 Shock 30G
 Stabilized 12V/DC
 Temperature -30 to +75

WIRELESS VIDEO MODULE

Transmission distance max. 30m (2dB Antenna)
 Operation frequency 2400 2483.5MHz
 IP67

Vibration test 9.8G RMS
 DC12V 24V
 Current consumption 200mA
 Temperature -20 to +60